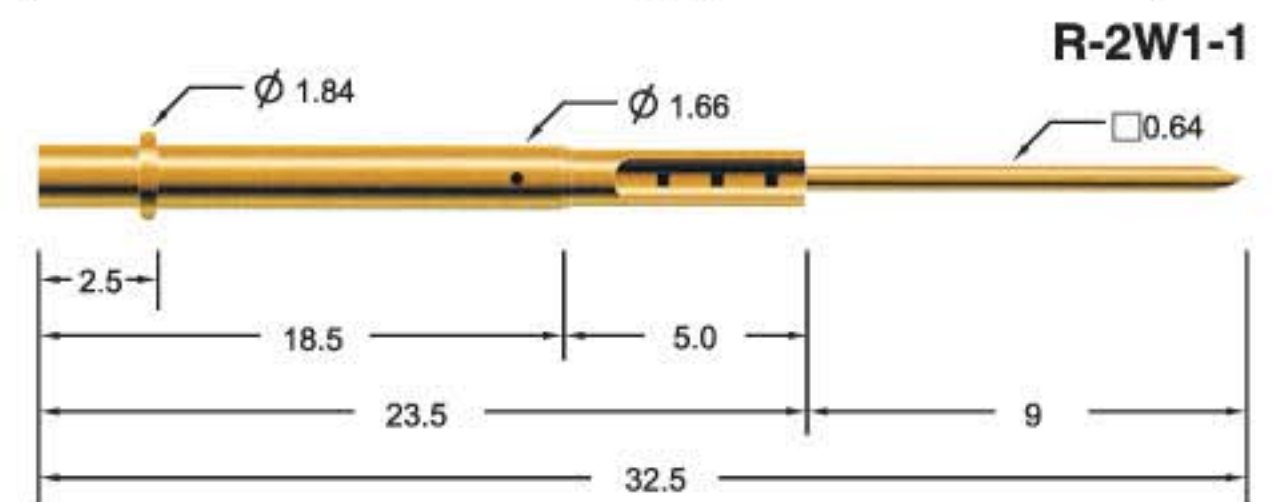
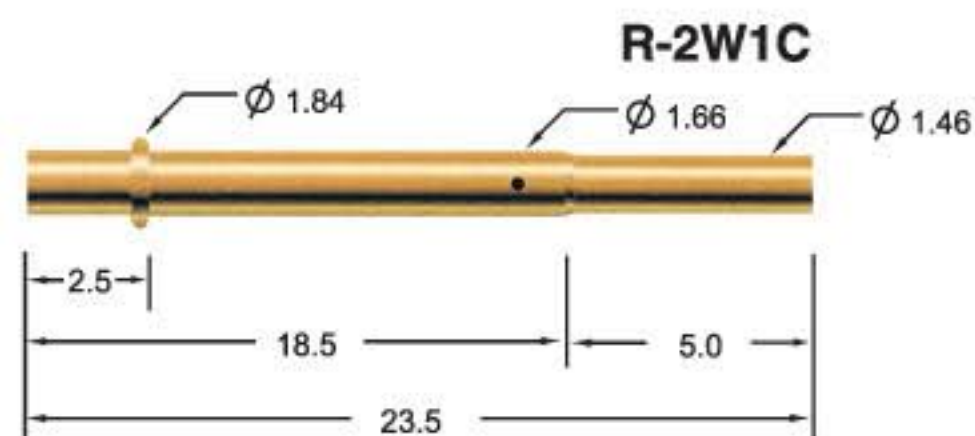
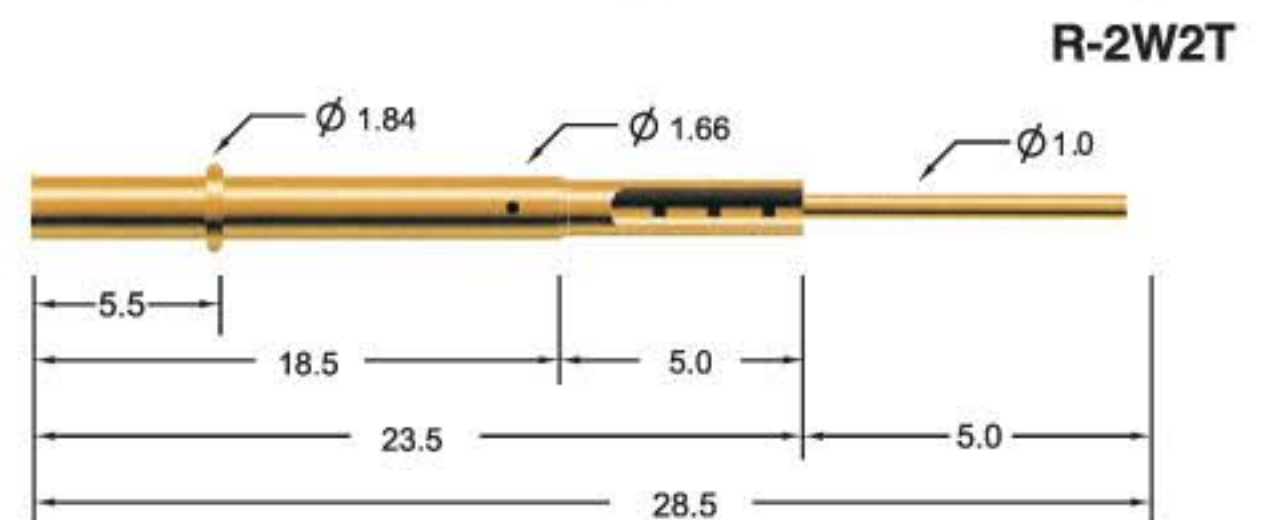
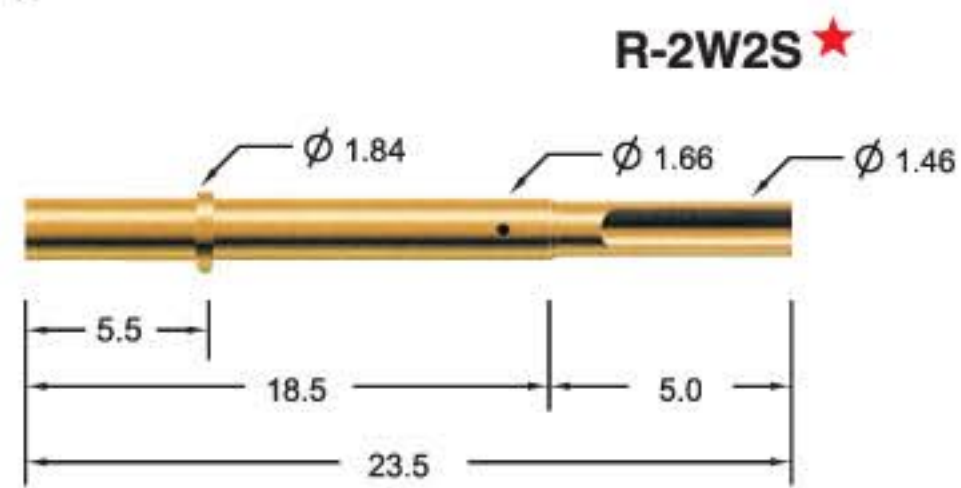
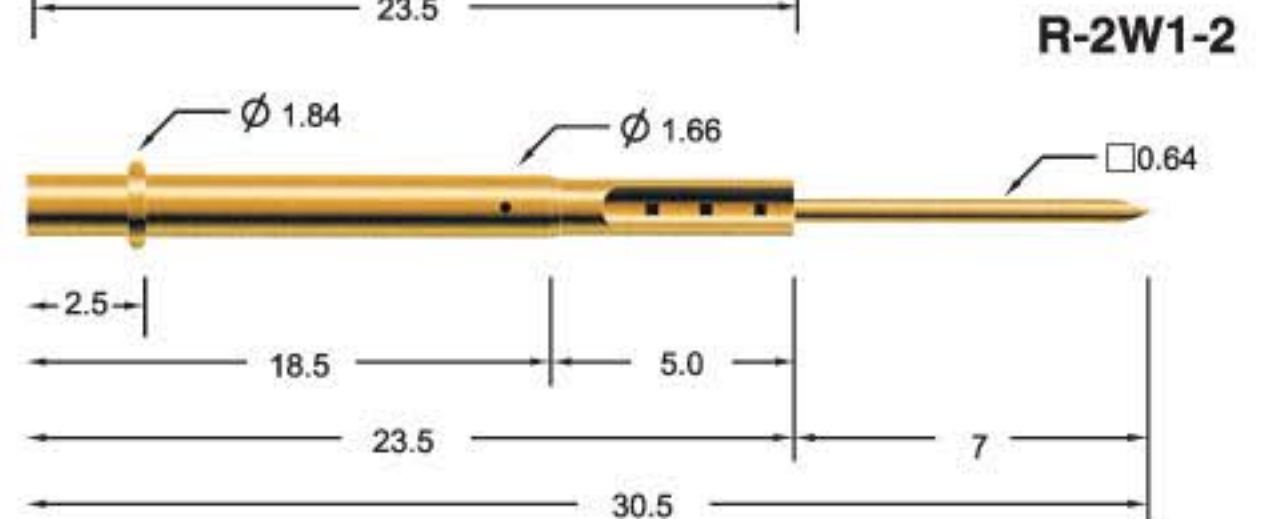
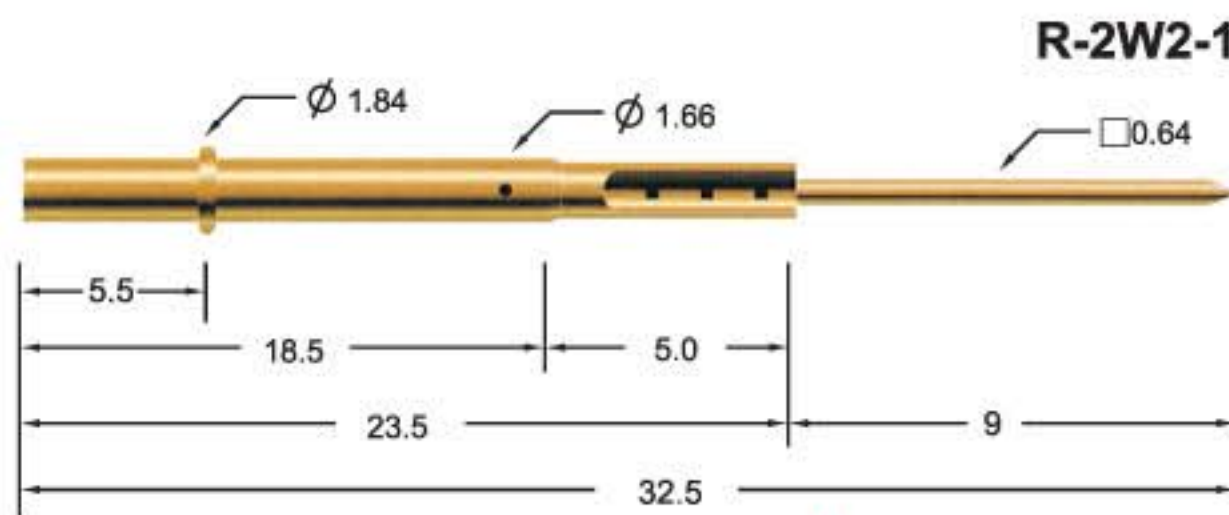
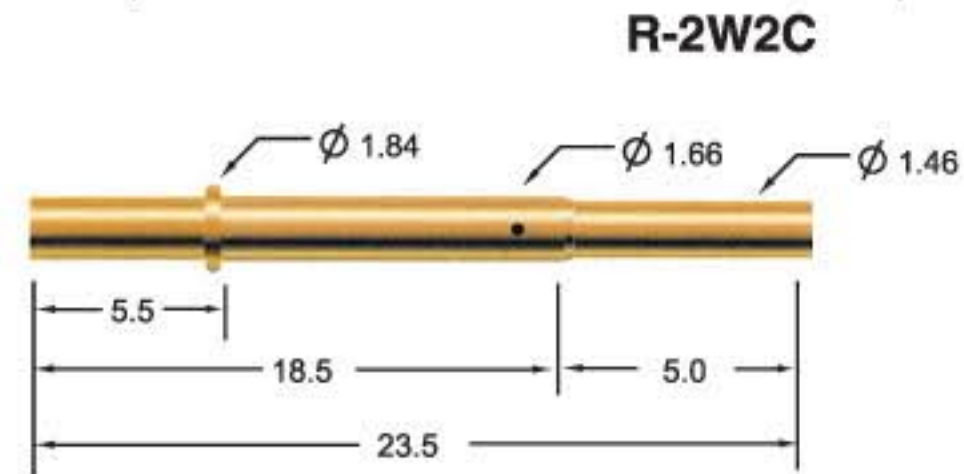
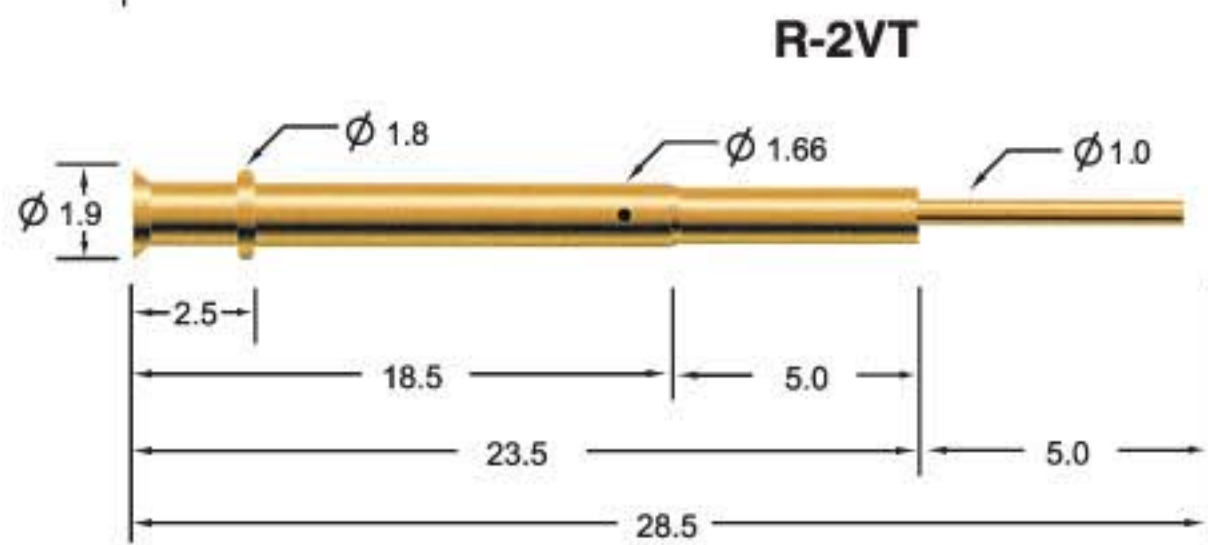
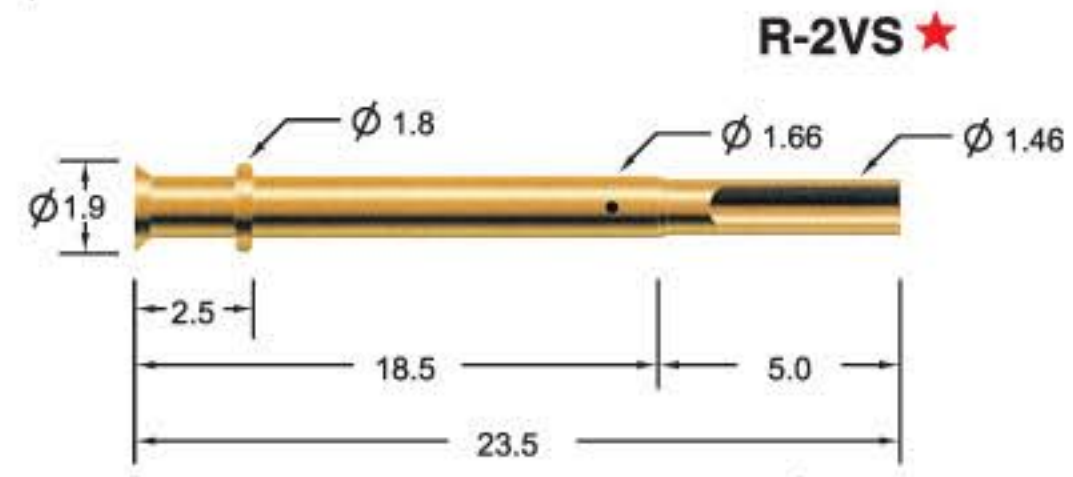
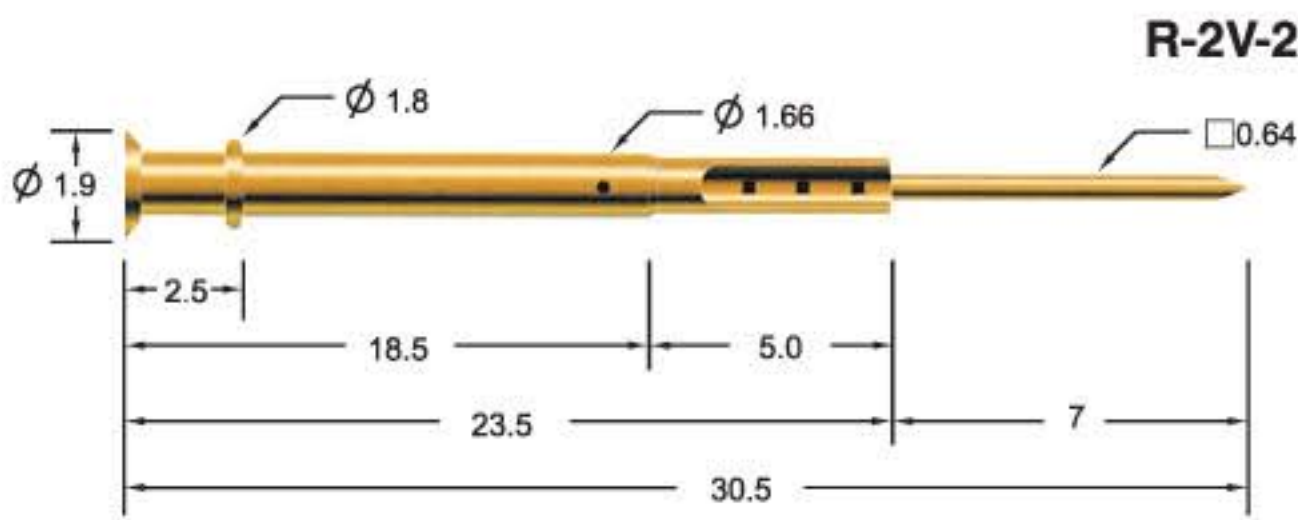
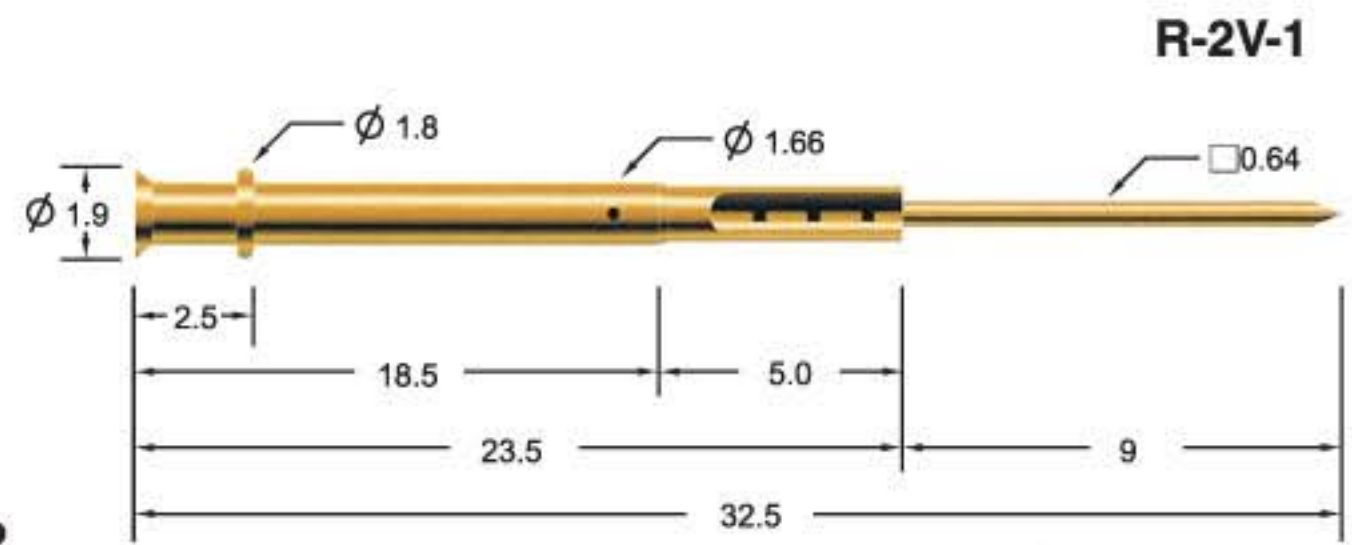
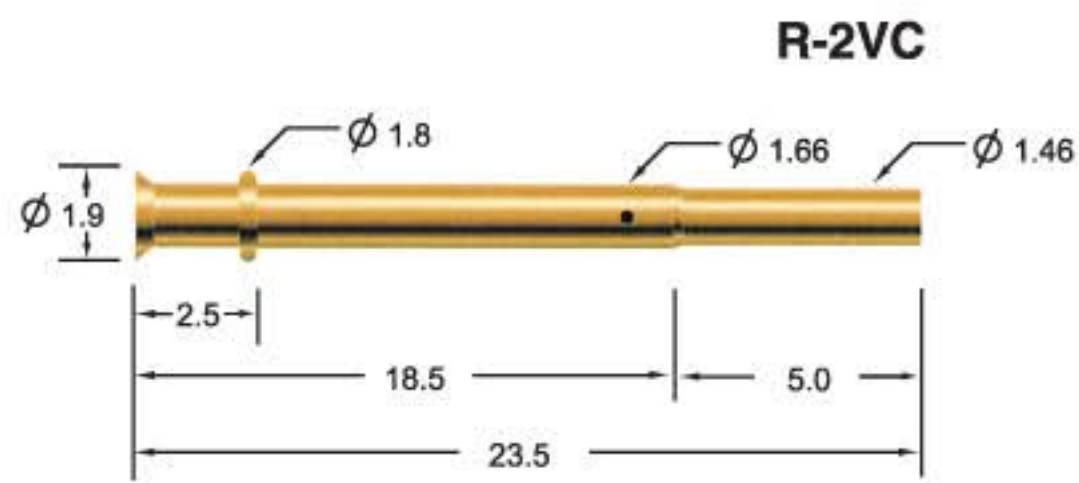


# R-2

Unit:mm



## Probe specifications R-2

- Recommended min. center (最小間距) : 2.54 (0.1")
- Mounting hole size (鑽孔尺寸) : 1.7 (.0669") / 1.75 (.0689")
- Materials and finishes (材料及塗飾) : Brass, Gold plated
- Connections (接線形式) :  
 Crimp: R-2VC, R-2W1C, R-2W2C  
 Solder cup: R-2VS, R-2W1S, R-2W2S  
 Wire wrap: R-2V-1, R-2V-2, R-2W1-1, R-2W1-2  
 R-2W2-1, R-2W2-2

■ ★ 為訂製品代號

