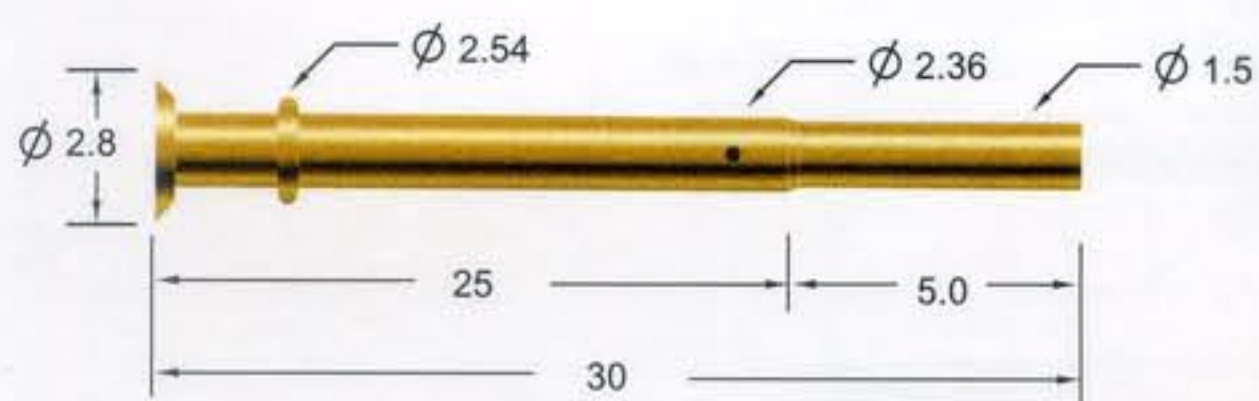


# CPM-9

Unit:mm

R-9VC



R-9WC



R-9VS



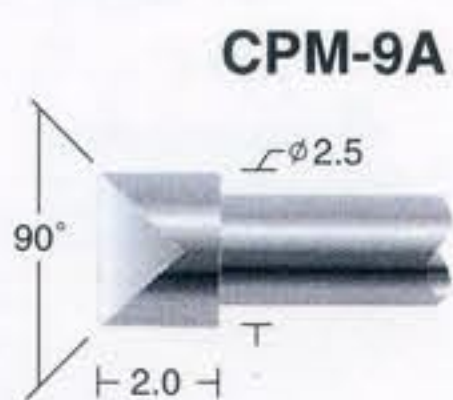
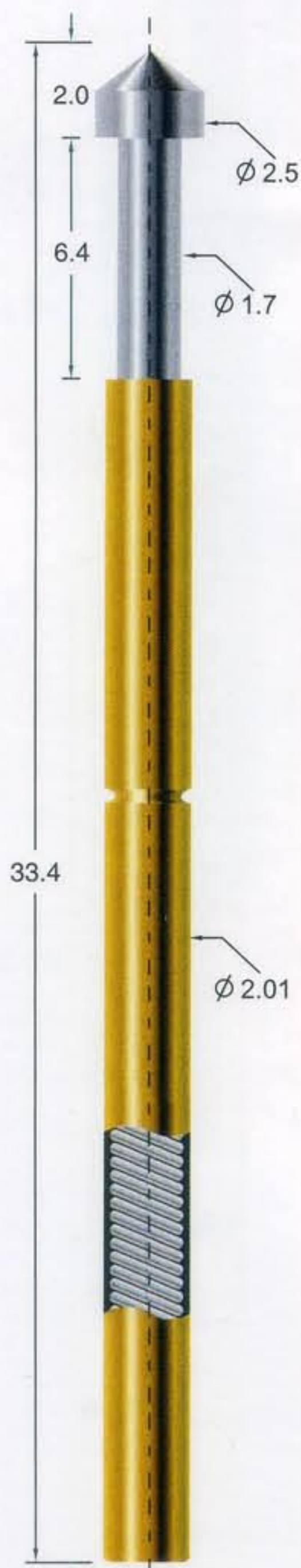
R-9WS



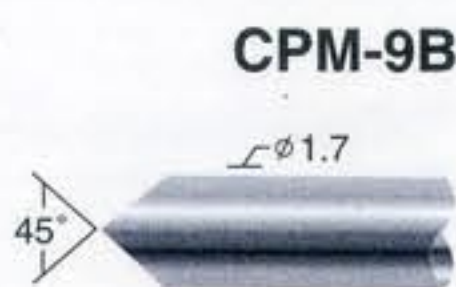
R-9V-2



R-9W-2



CPM-9A



CPM-9B



CPM-9D



CPM-9E



CPM-9F



CPM-9F1



CPM-9G



CPM-9H

## Probe specifications CPM-9

- Recommended min. center (最小間距) : 3.17 (.125")
- Mounting hole size (鑽孔尺寸) : 2.39 (.094") / 2.44 (.096")
- Full travel (行程) : 6.4 (.252")
- Materials and finishes (材料及塗飾) :
  - Plunger : Be Cu,Rh plated
  - Barrel : Phosphor bronze,Gold plated
  - Spring : Stainless
- Current rating (額定電流) : 5A
- Contact resistance (接觸電阻) : 50 mΩ

## Receptacle specifications

- Materials and finishes : Brass,Gold plated