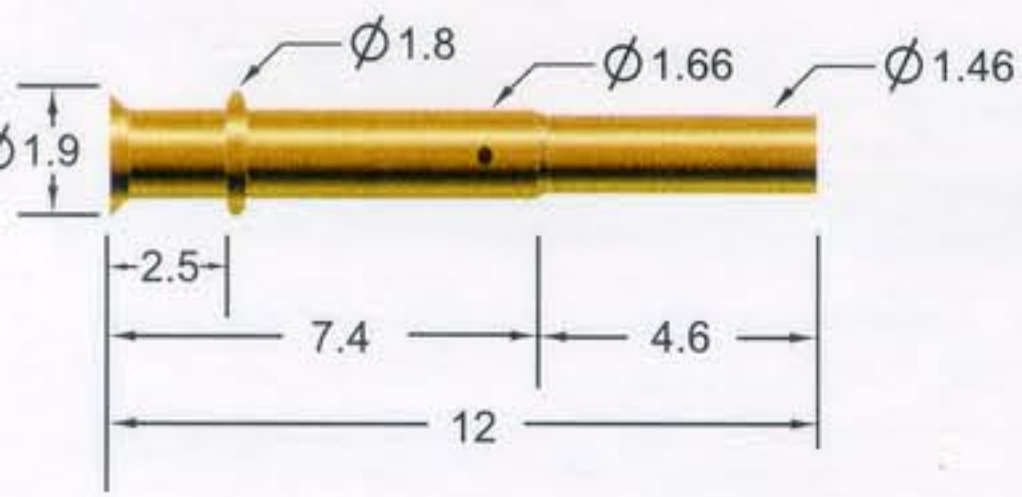


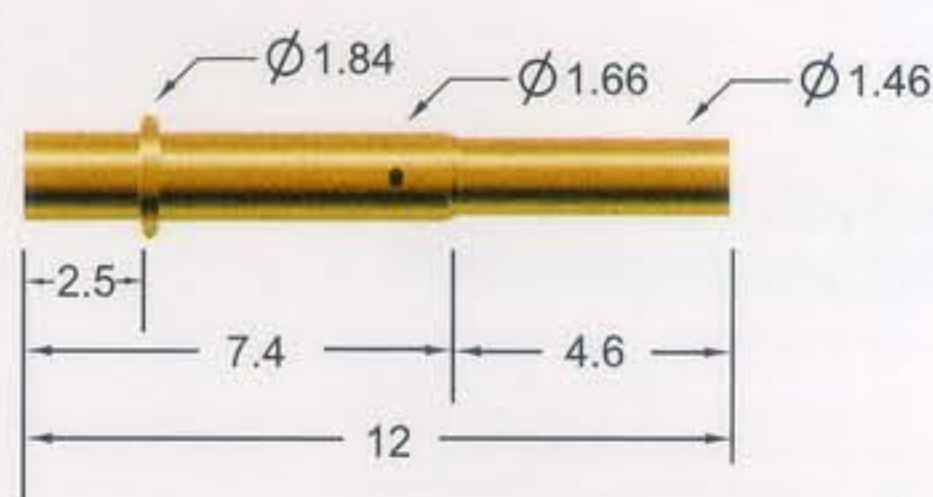
CPM-6

Unit:mm

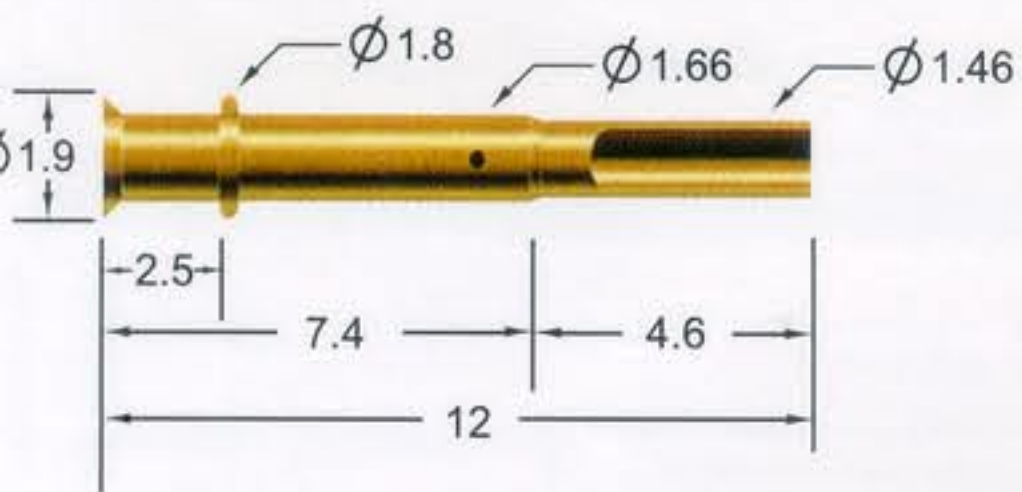
R-6VC



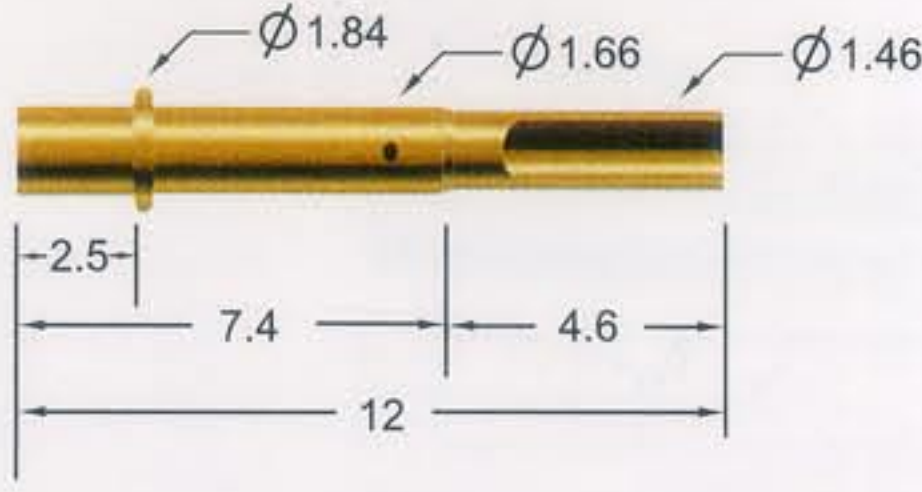
R-6WC



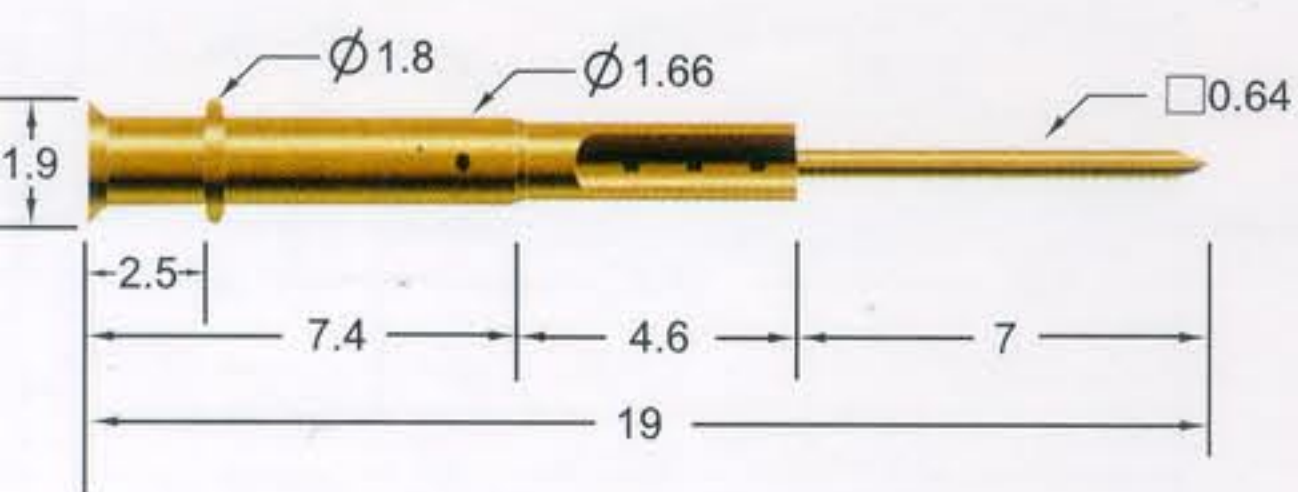
R-6VS



R-6WS



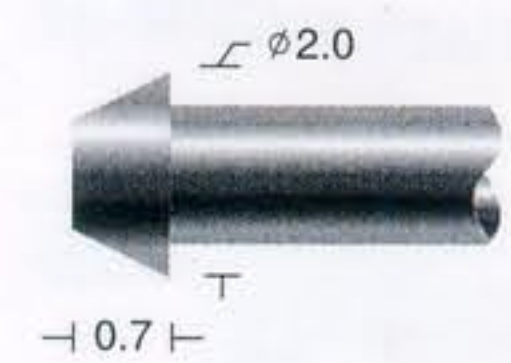
R-6V-2



R-6W-2



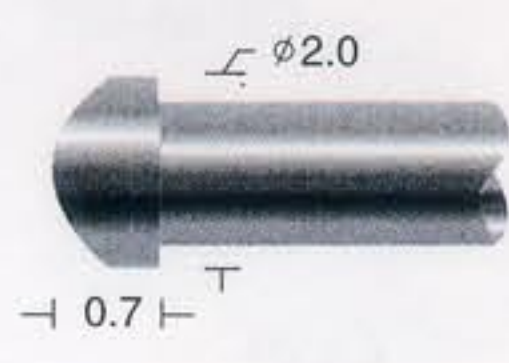
CPM-6A



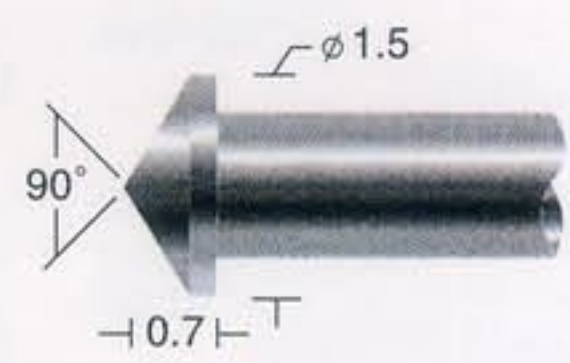
CPM-6D



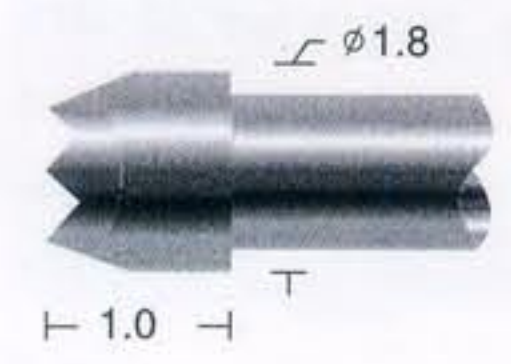
CPM-6D1



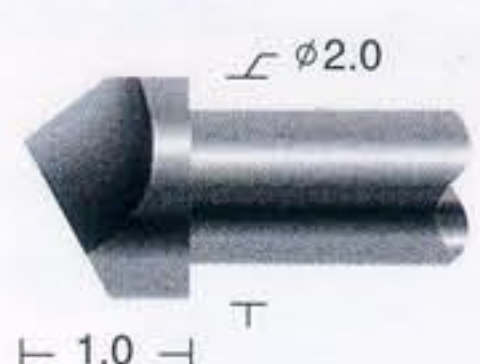
CPM-6E



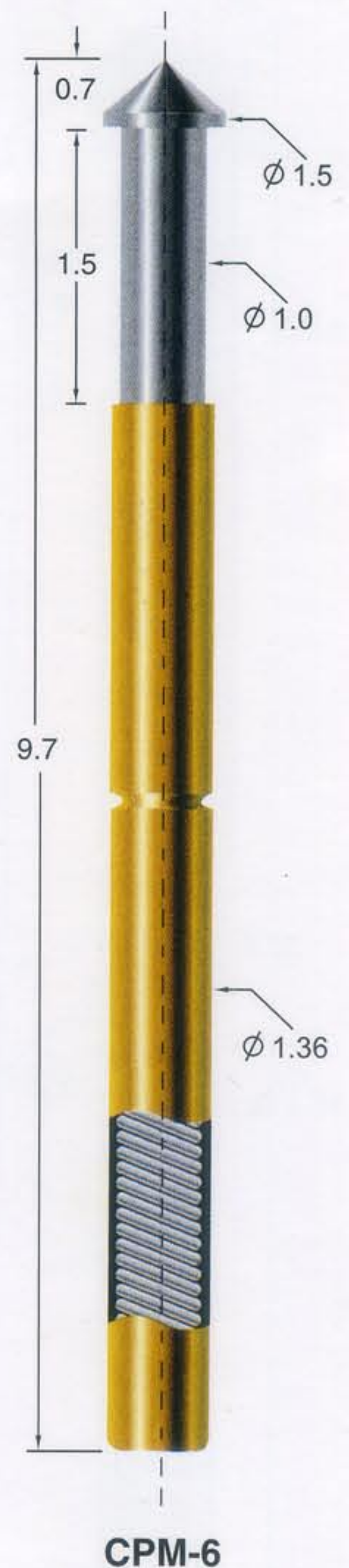
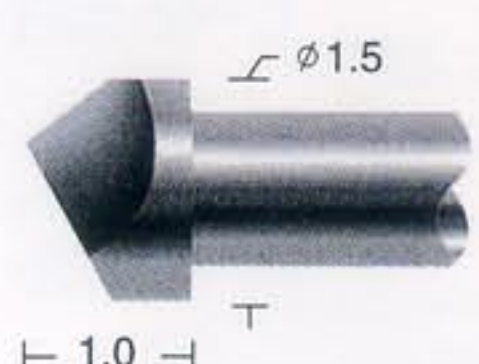
CPM-6H



CPM-6T



CPM-6T1



Probe specifications CPM-6

- Recommended min. center (最小間距) : 2.54 (0.1")
- Mounting hole size (鑽孔尺寸) : 1.7 (.0669") / 1.75 (.0689")
- Full travel (行程) : 1.5 (.059")
- Materials and finishes (材料及塗飾) :
 Plunger : Be Cu,Rh plated
 Barrel : Phosphor bronze,Gold plated
 Spring : Stainless
- Current rating (額定電流) : 3A
- Contact resistance (接觸電阻) : 50 mΩ

Receptacle specifications

- Materials and finishes : Brass,Gold plated