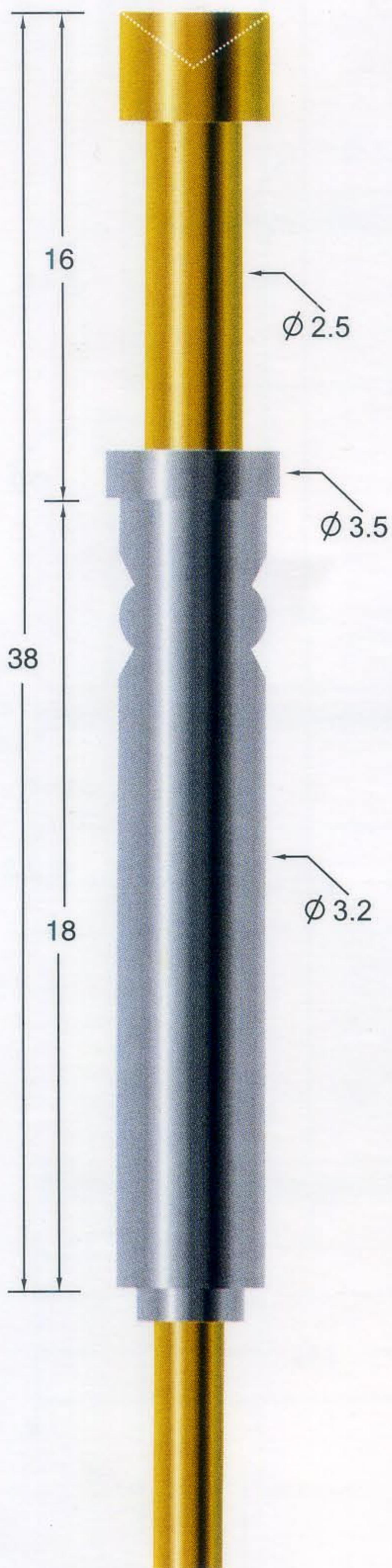
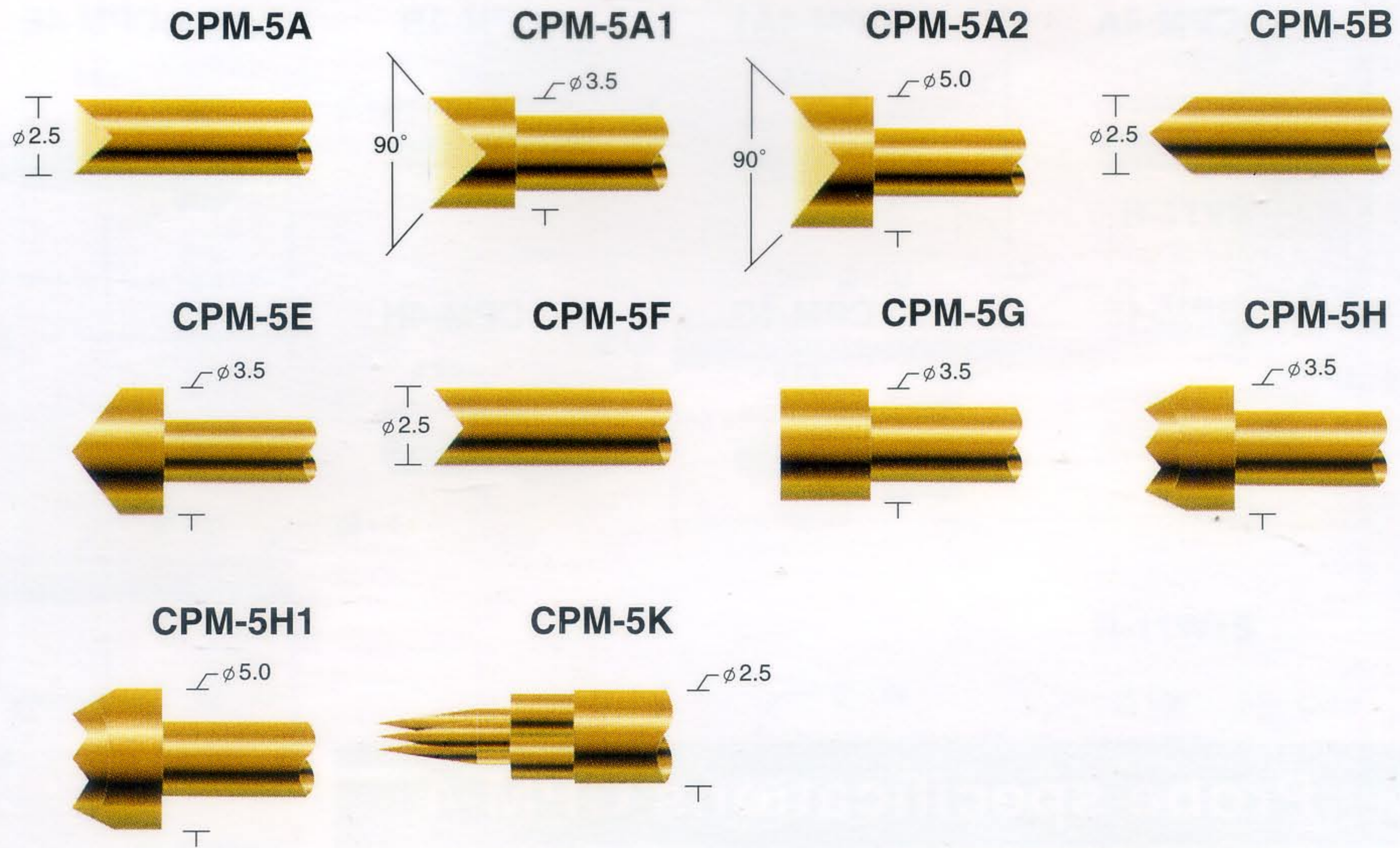


# CPM-5

Unit:mm



## Probe specifications CPM-5

- Recommended min. center (最小間距) : 4.2 (.165")
- Mounting hole size (鑽孔尺寸) : 3.2 (.126") / 5.0 (.197")
- Full travel (行程) : 16 (.63") / 20 (.787") / 24 (.945")
- Materials and finishes (材料及塗飾) :  
 Plunger : Be Cu,Rh plated  
 Barrel : Phosphor bronze,Gold plated  
 Spring : Stainless
- Current rating (額定電流) : 5A
- Contact resistance (接觸電阻) : 50 m $\Omega$