

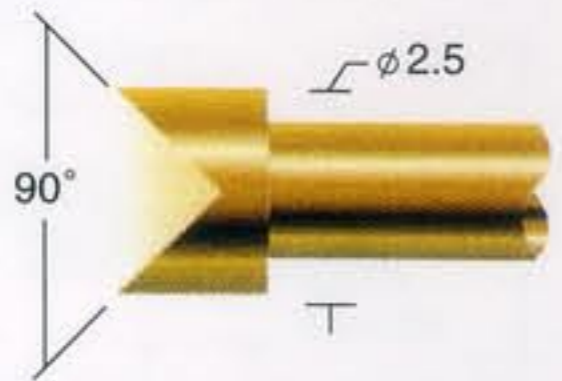
# CPM-4

Unit:mm

CPM-4A



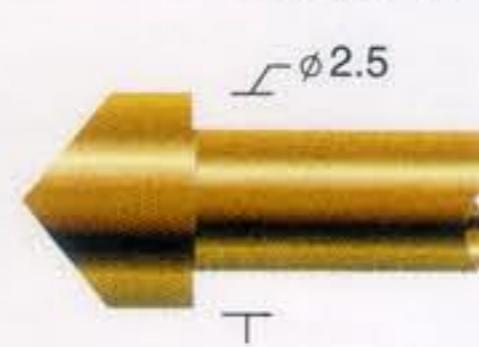
CPM-4A1



CPM-4B



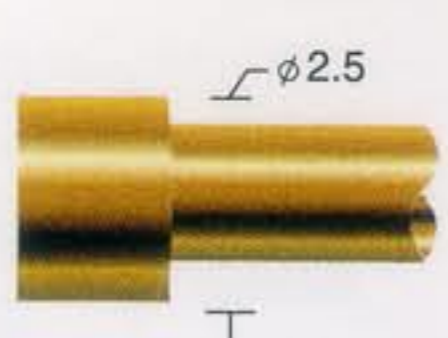
CPM-4E



CPM-4F



CPM-4G

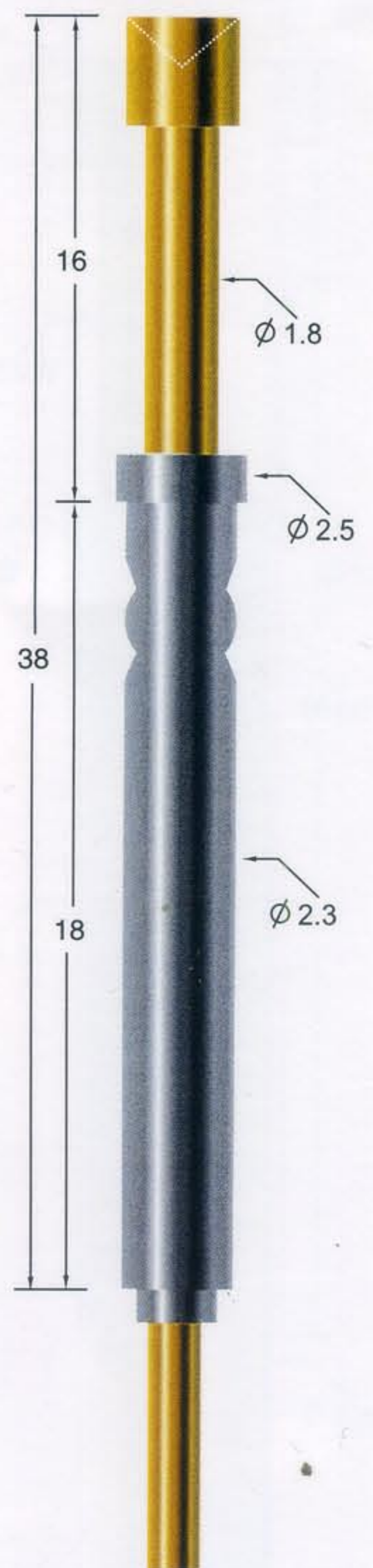


CPM-4H



## Probe specifications CPM-4

- Recommended min. center (最小間距) : 3.0 (.118")
- Mounting hole size (鑽孔尺寸) : 2.3 (.0905") / 2.35 (.0925")
- Full travel (行程) : 16 (.63")
- Materials and finishes (材料及塗飾) :
  - Plunger : Be Cu,Rh plated
  - Barrel : Phosphor bronze,Gold plated
  - Spring : Stainless
- Current rating (額定電流) : 5A
- Contact resistance (接觸電阻) : 50 mΩ



CPM-4