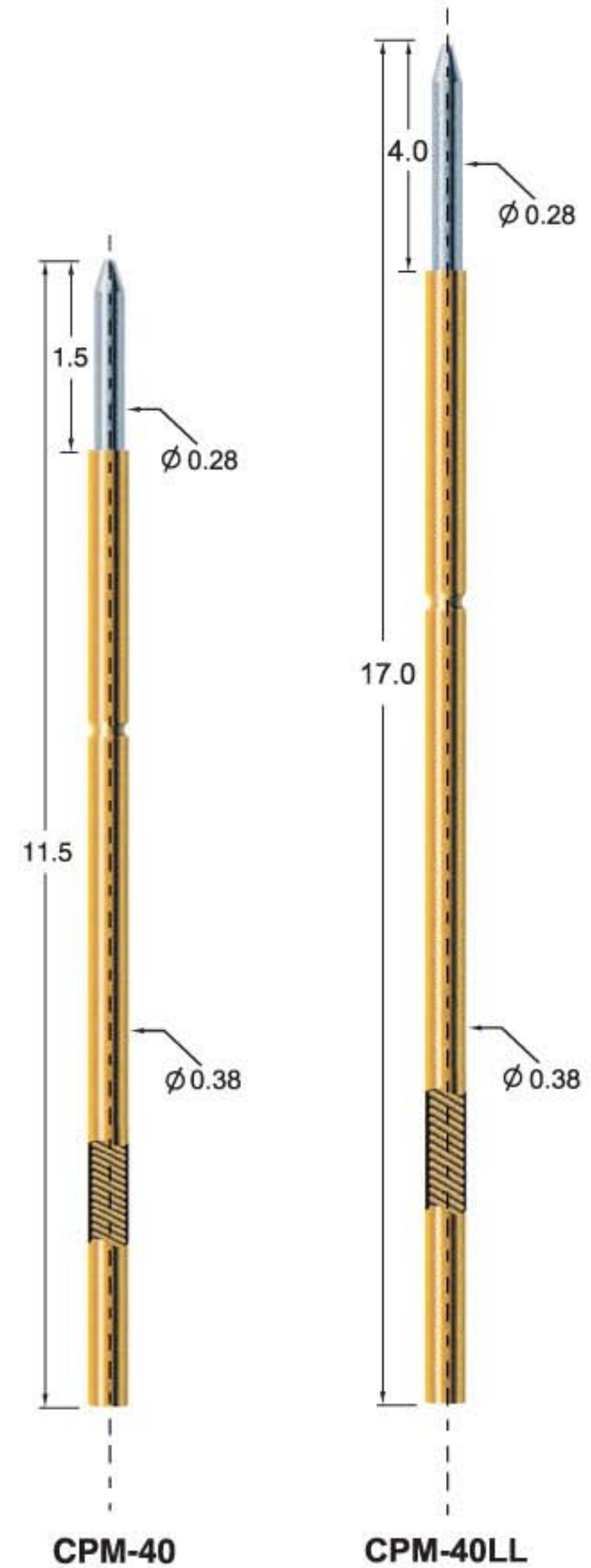
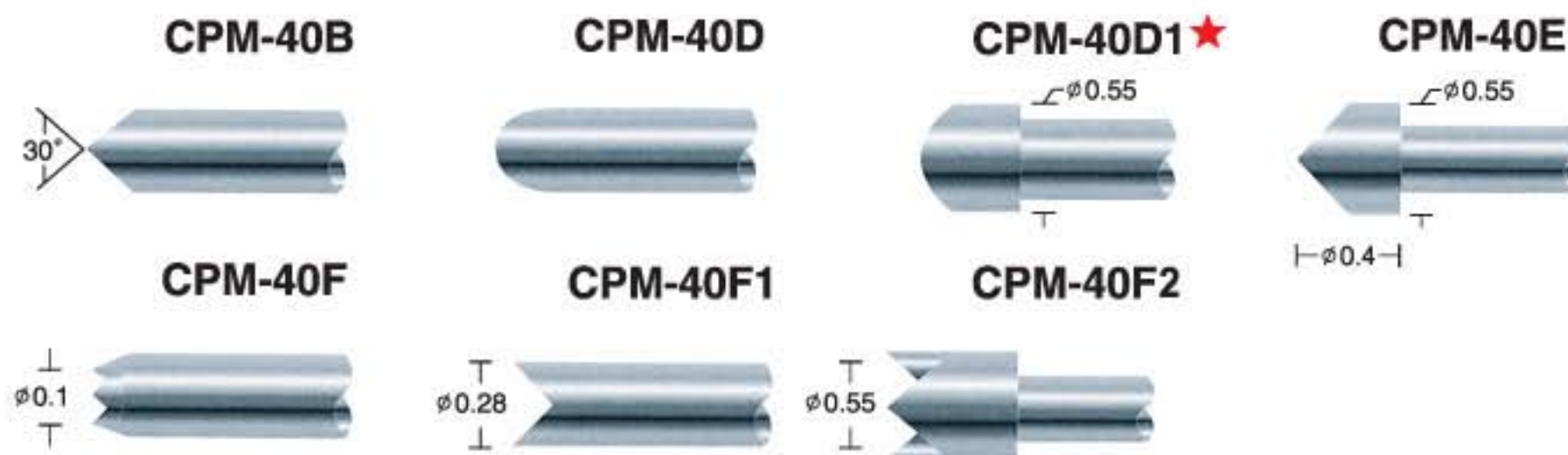
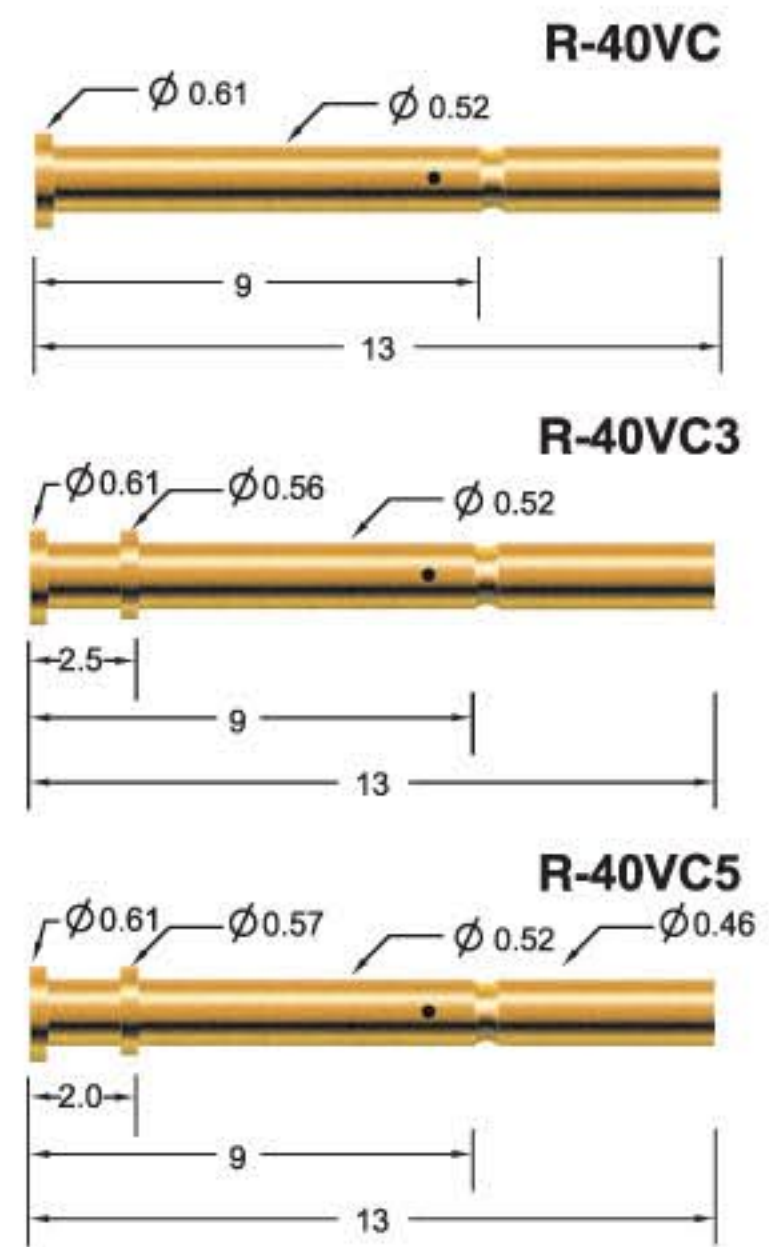
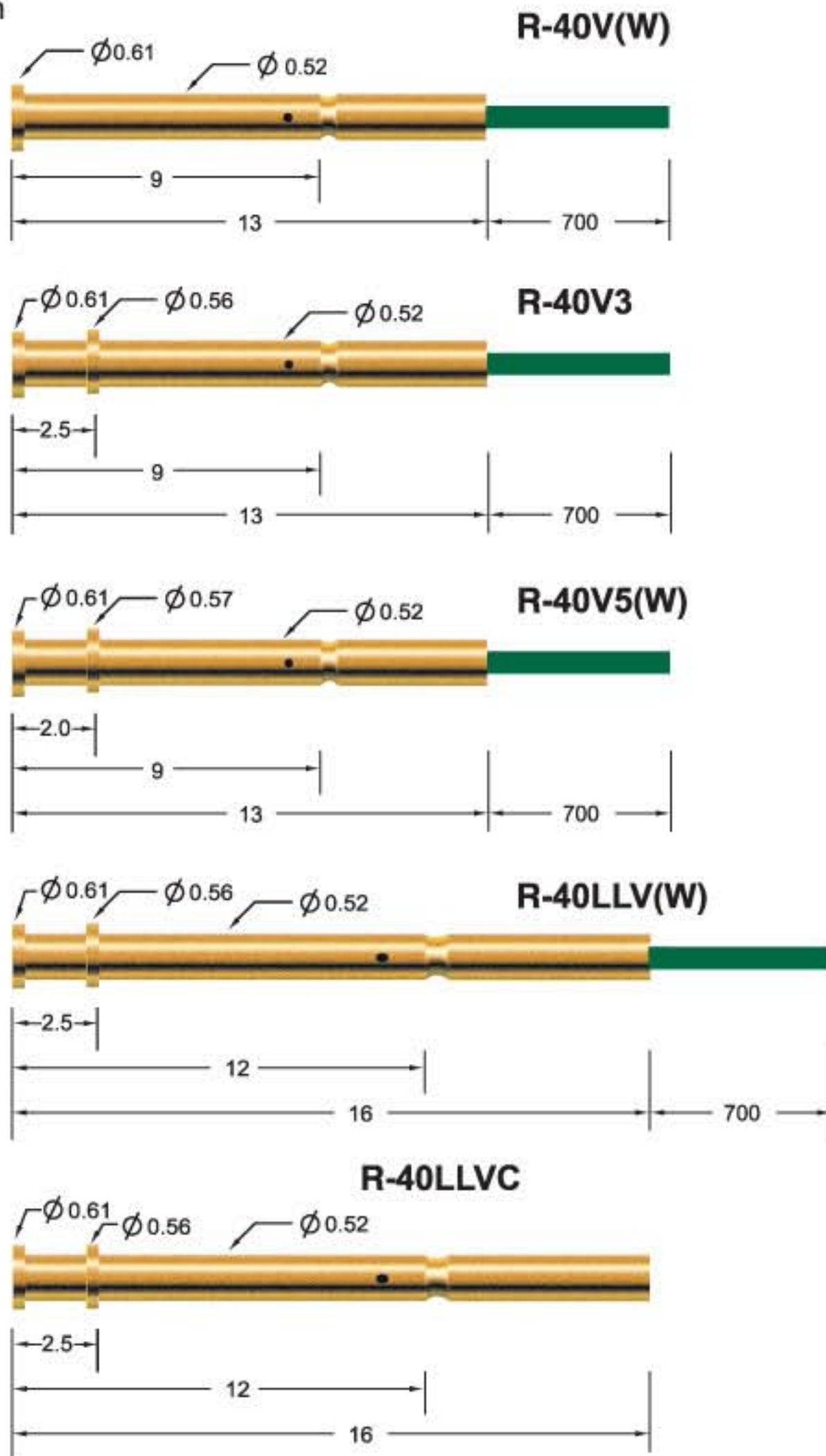


CPM-40

Unit:mm



Probe specifications CPM-40

- Recommended min. center (最小間距) : 0.75 (.0295")
- Mounting hole size (鑽孔尺寸) : 0.57 (.0225")
- Full travel (行程) : 1.5 (.059") , 2.0 (.078") , 4.0 (.156")
- Materials and finishes (材料及塗飾) :
 Plunger : SK4,Rh plated
 Barrel : Phosphor bronze,Gold plated
 Spring : Stainless steel,Gold plated
- Current rating (額定電流) : 0.5 A
- Contact resistance (接觸電阻) : 180mΩ
- Spring force (全壓彈力) : 50g

Receptacle specifications

- Materials and finishes : Brass,Gold plated
- ★ 為訂製品代號