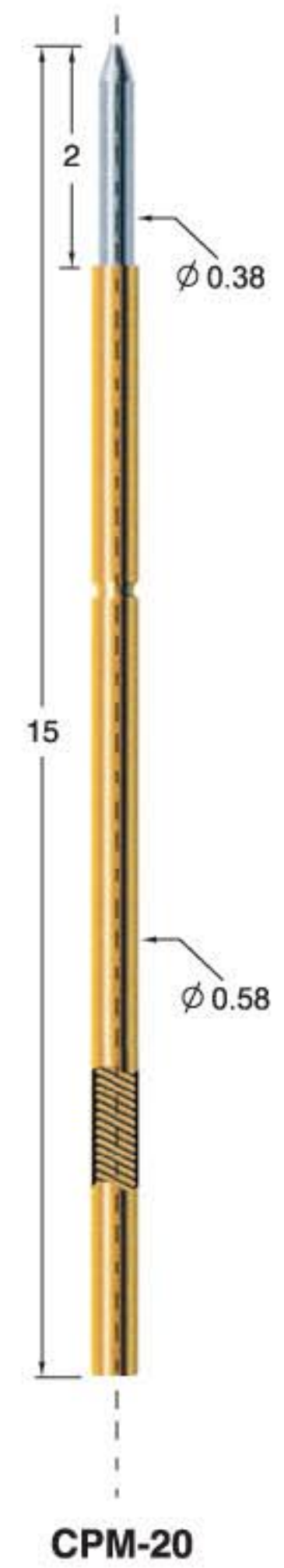
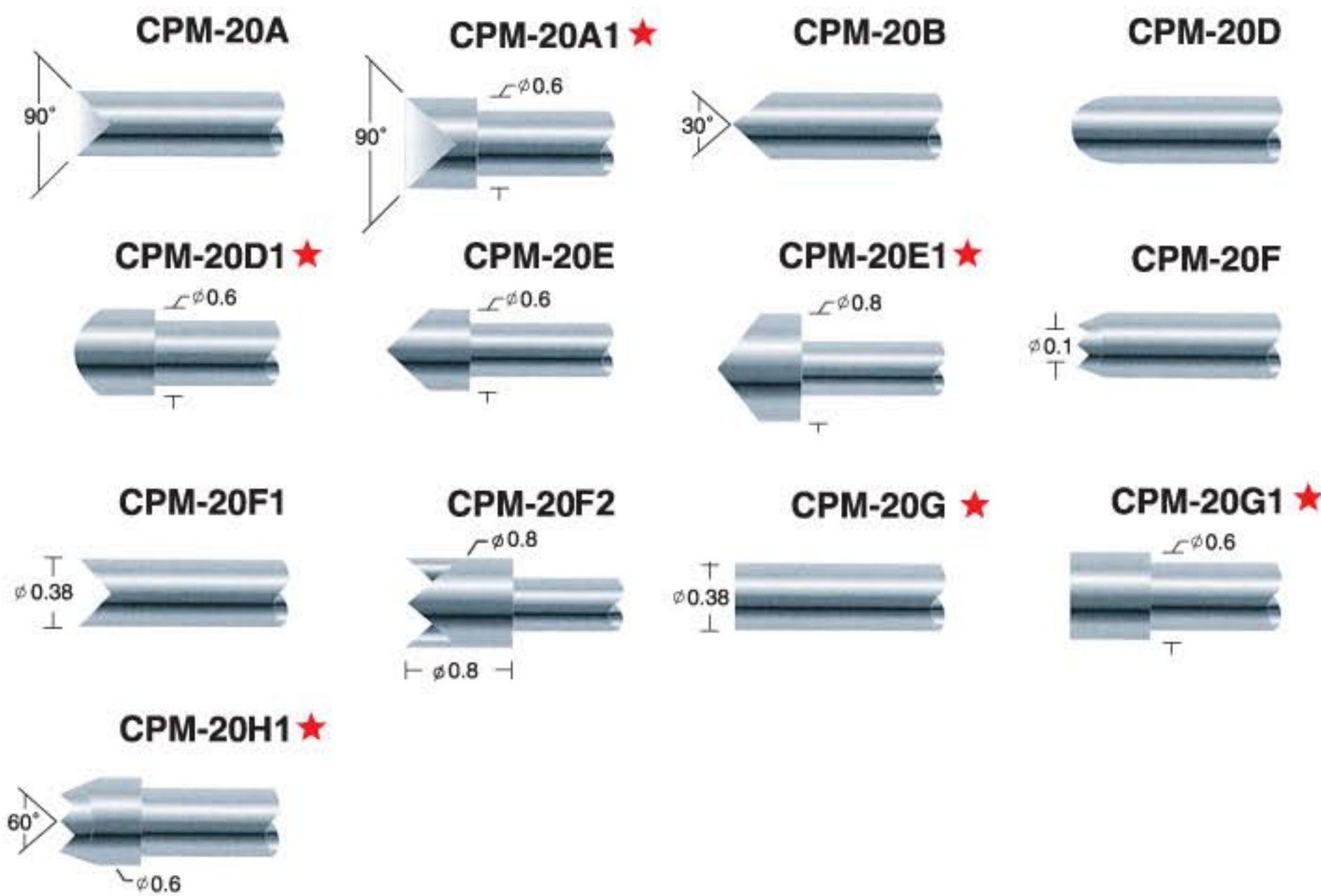
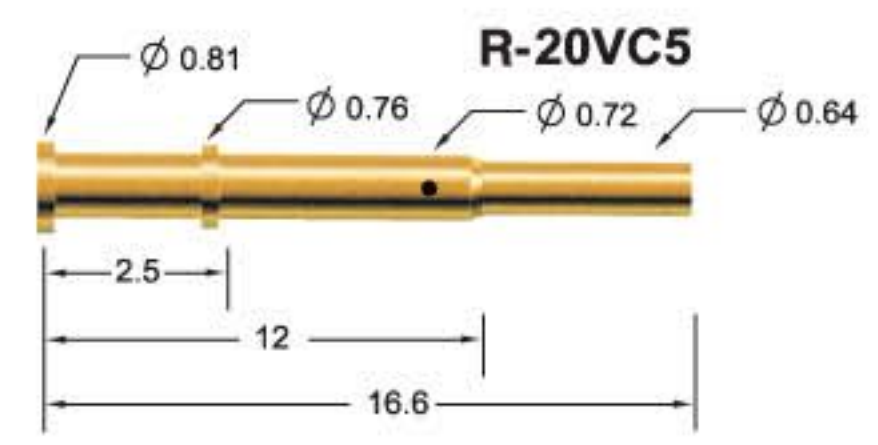
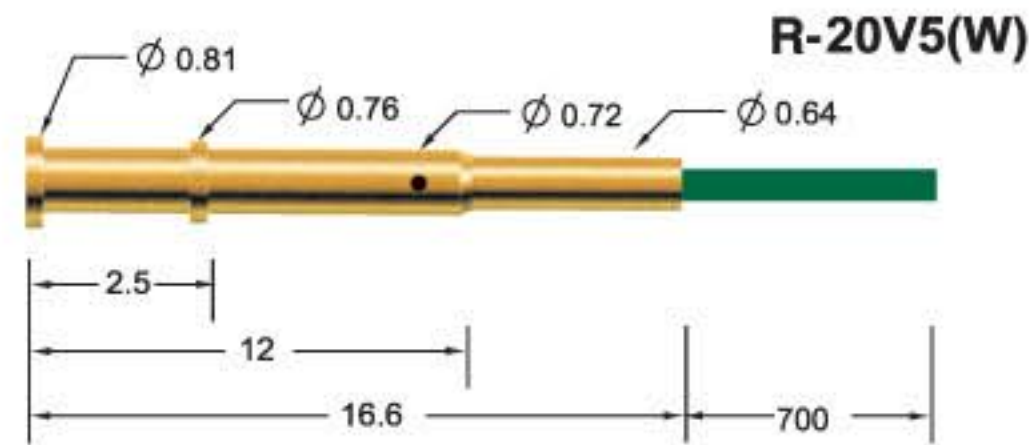
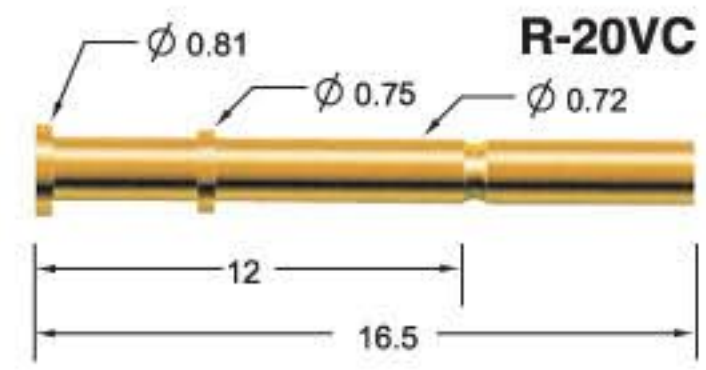
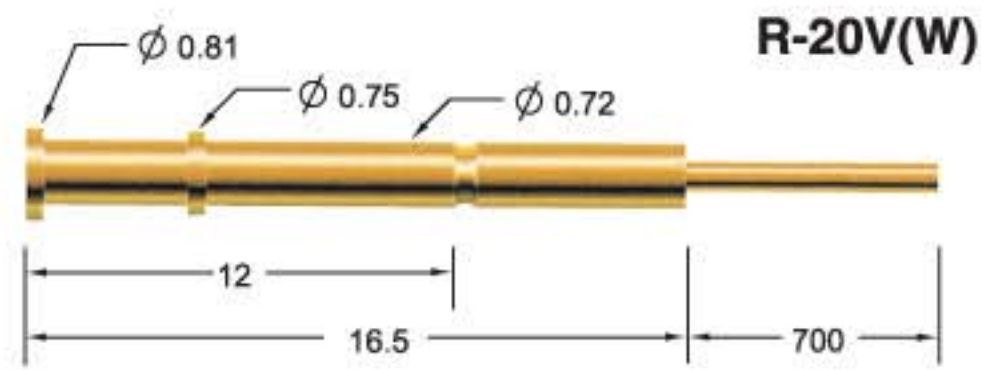


CPM-20

Unit:mm



Probe specifications CPM-20

- Recommended min. center (最小間距) : 1.0 (.0394")
- Mounting hole size (鑽孔尺寸) : 0.75uc (.0296")
- Full travel (行程) : 2 (.0787")
- Materials and finishes (材料及塗飾) :
 Plunger : SK4,Rh plated
 Barrel : Phosphor bronze,Gold plated
 Spring : Stainless,Steel
- Current rating (額定電流) : 1A
- Contact resistance (接觸電阻) : 120 mΩ
- Spring force (全壓彈力) : 80g

Receptacle specifications

- Materials and finishes : Brass,Gold plated
- ★ 為訂製品代號