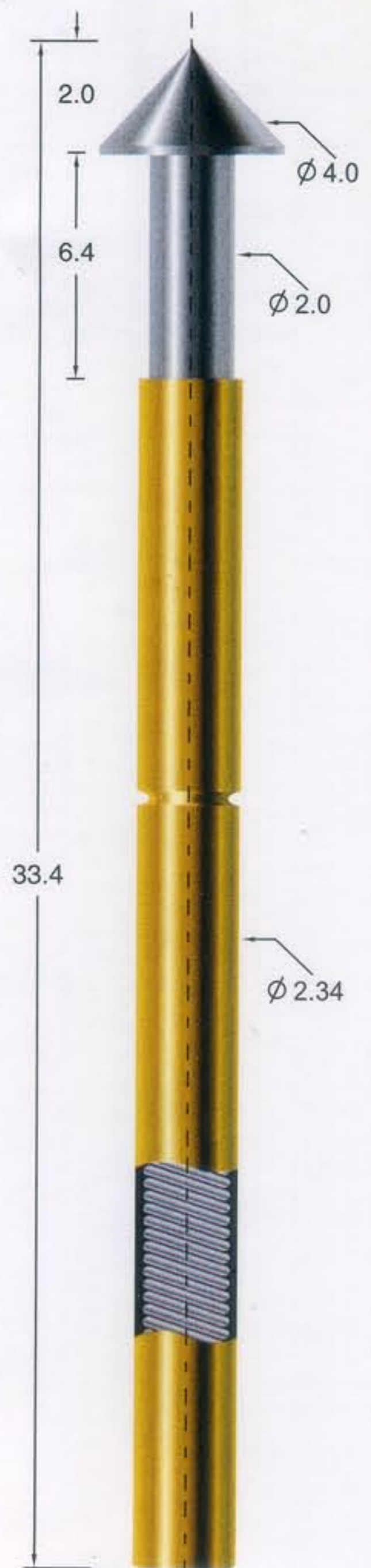
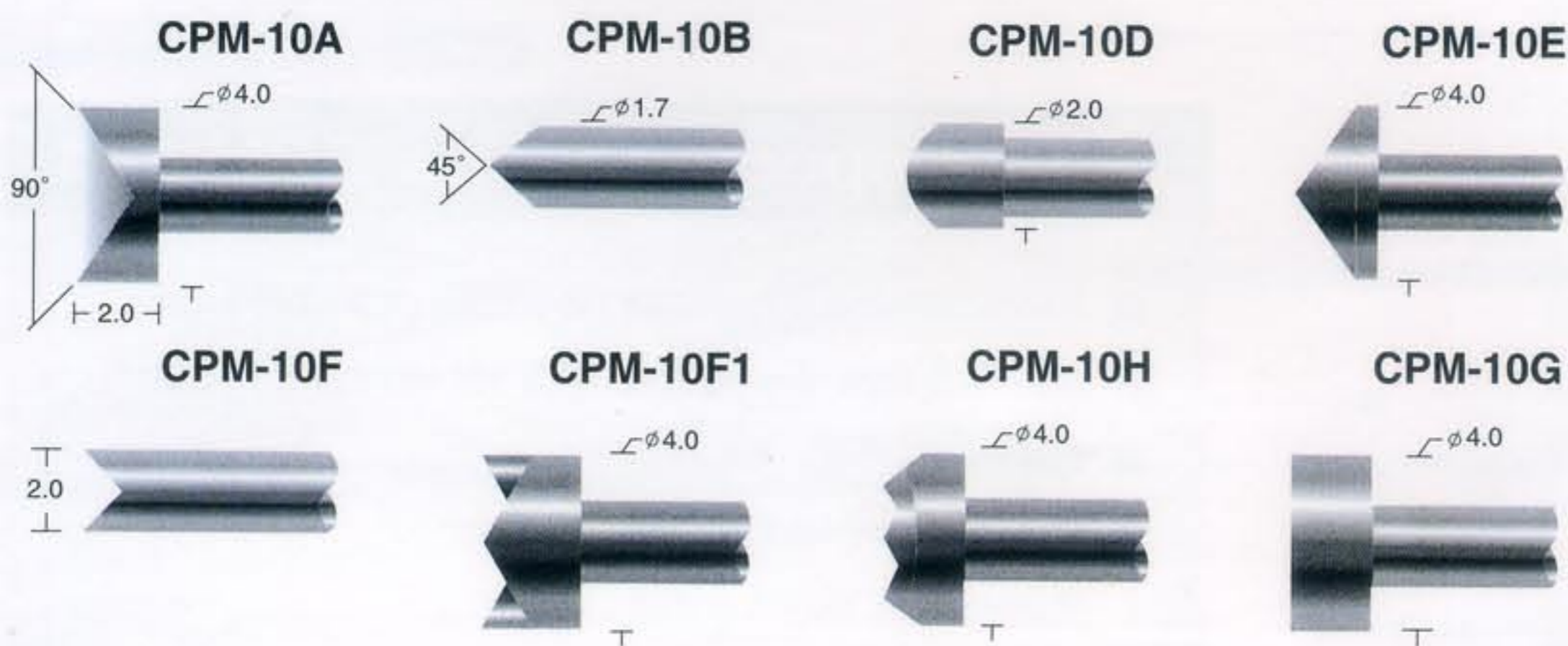
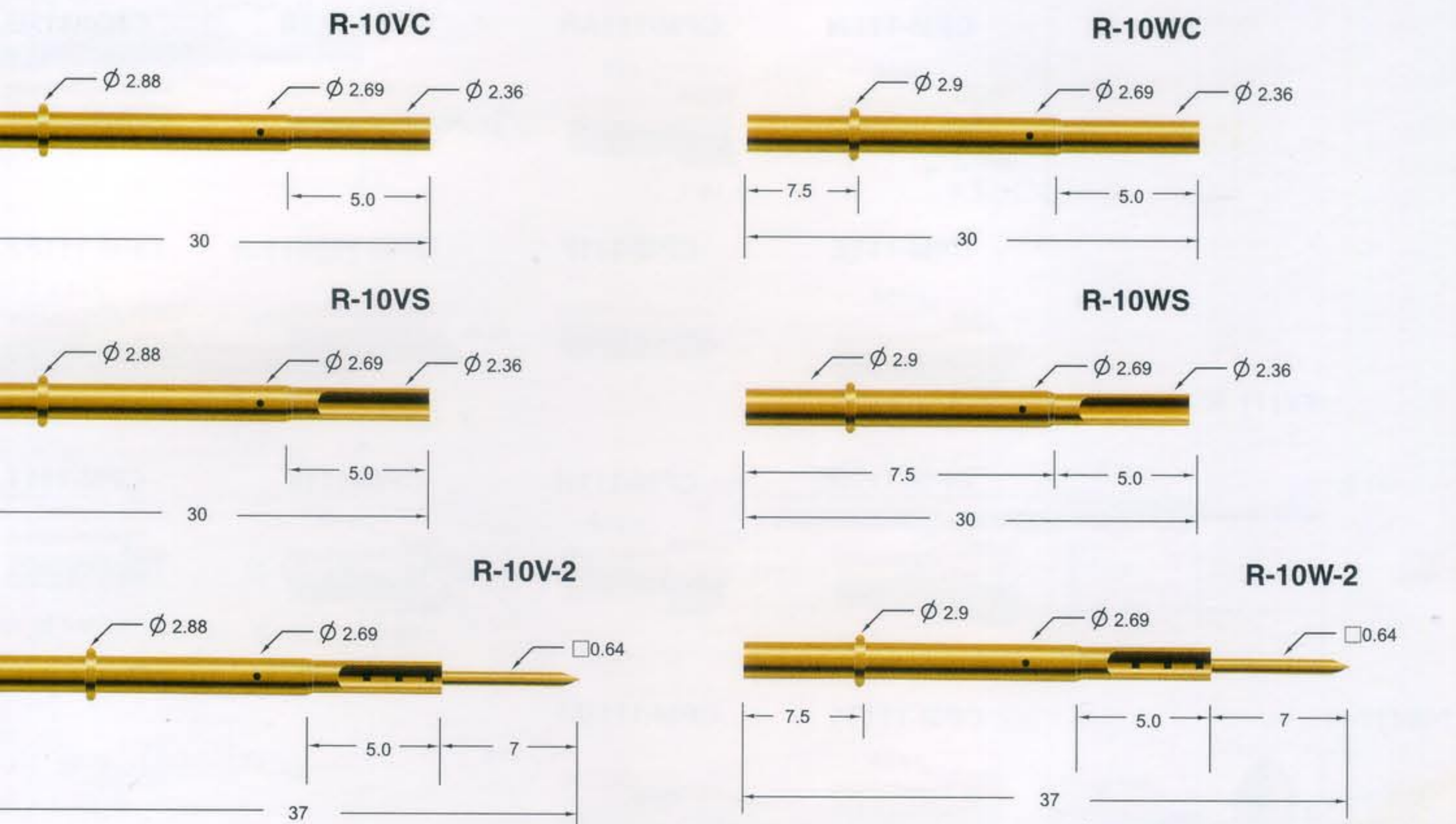


# CPM-10

Unit:mm



## Probe specifications CPM-10

- Recommended min. center (最小間距) : 4.75 (.187")
- Mounting hole size (鑽孔尺寸) : 2.72 (.107") / 2.77 (.109")
- Full travel (行程) : 6.4 (.252")
- Materials and finishes (材料及塗飾) :  
 Plunger : Be Cu,Rh plated  
 Barrel : Phosphor bronze,Gold plated  
 Spring : Stainless
- Current rating (額定電流) : 5A
- Contact resistance (接觸電阻) : 50 mΩ

## Receptacle specifications

- Materials and finishes : Brass,Gold plated