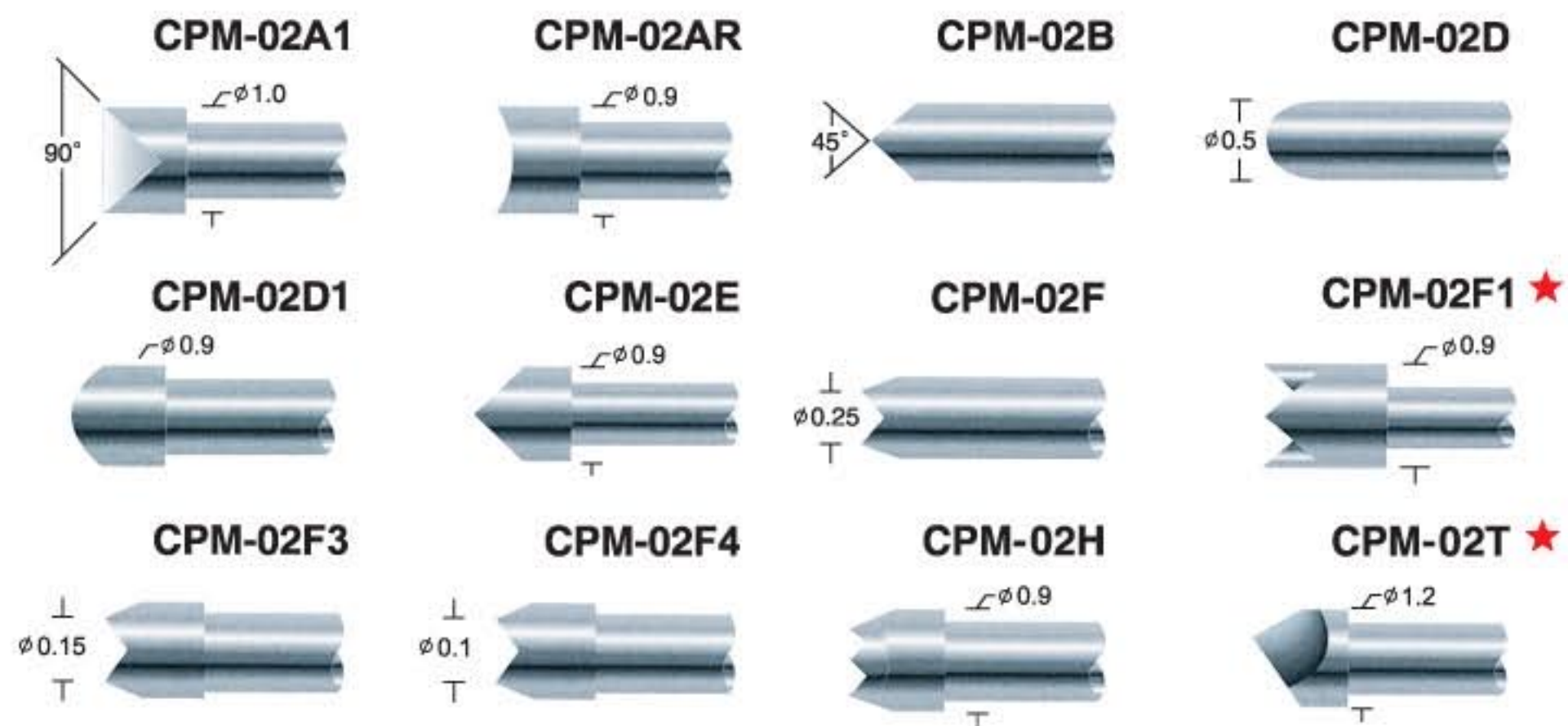
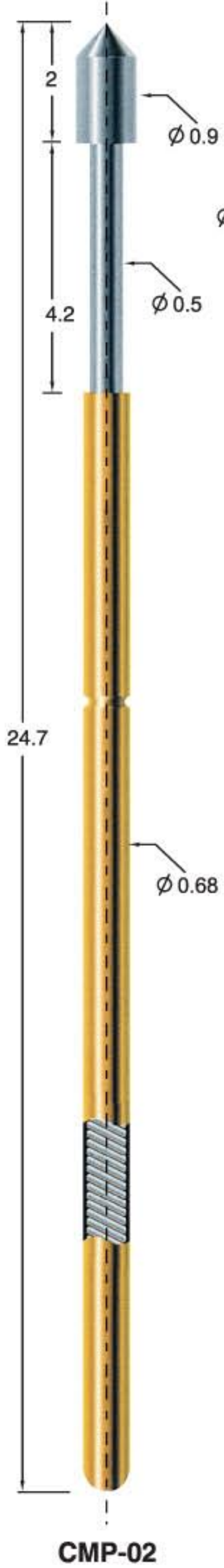
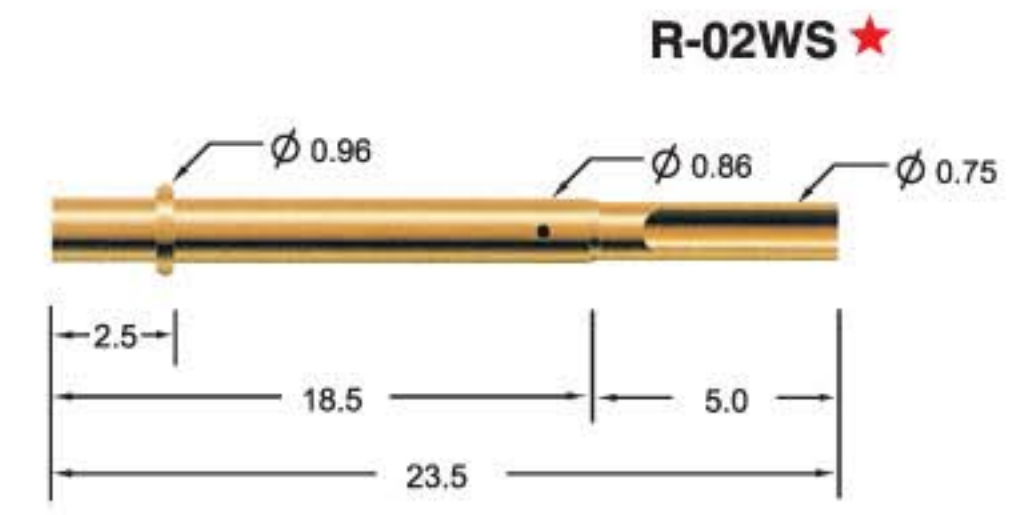
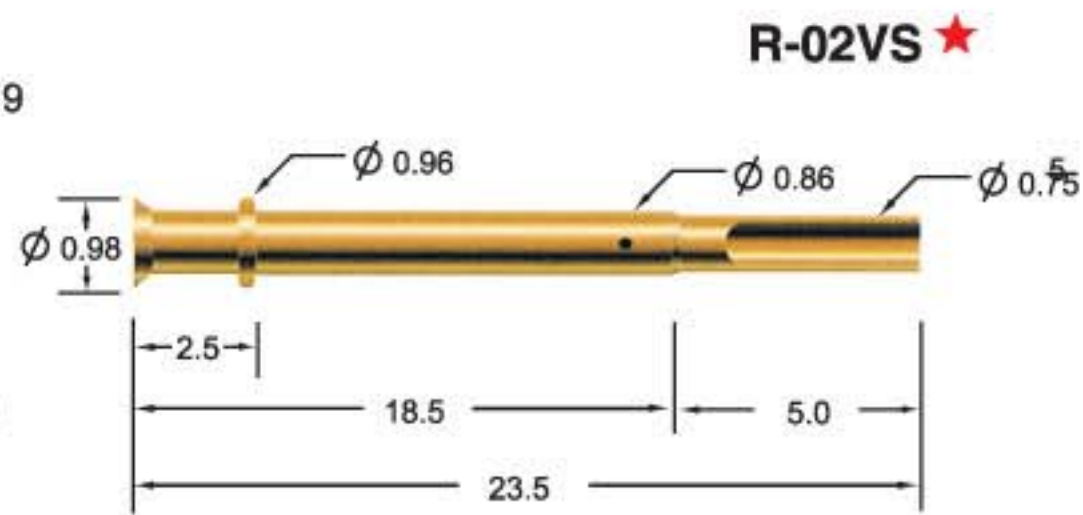
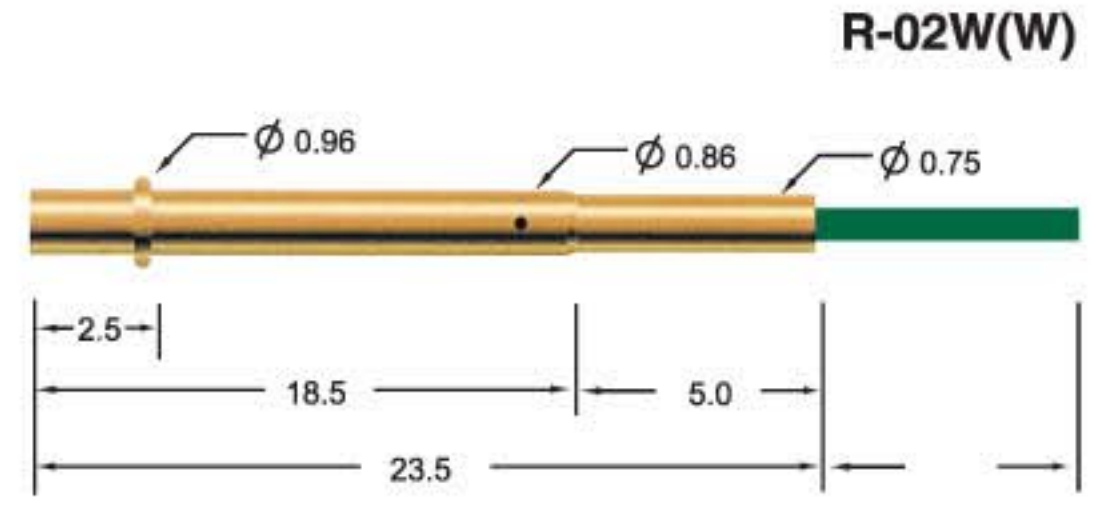
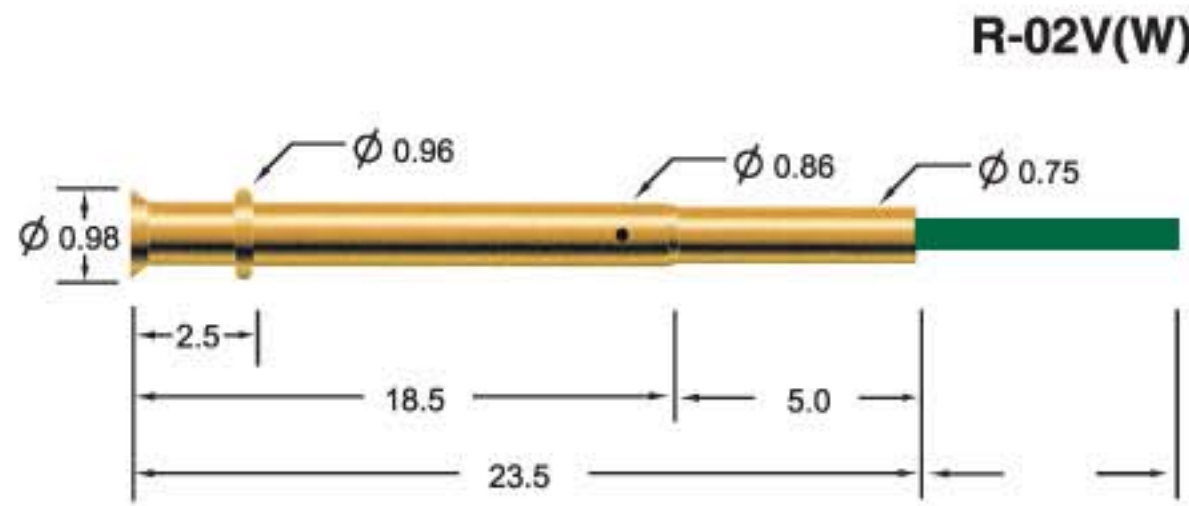
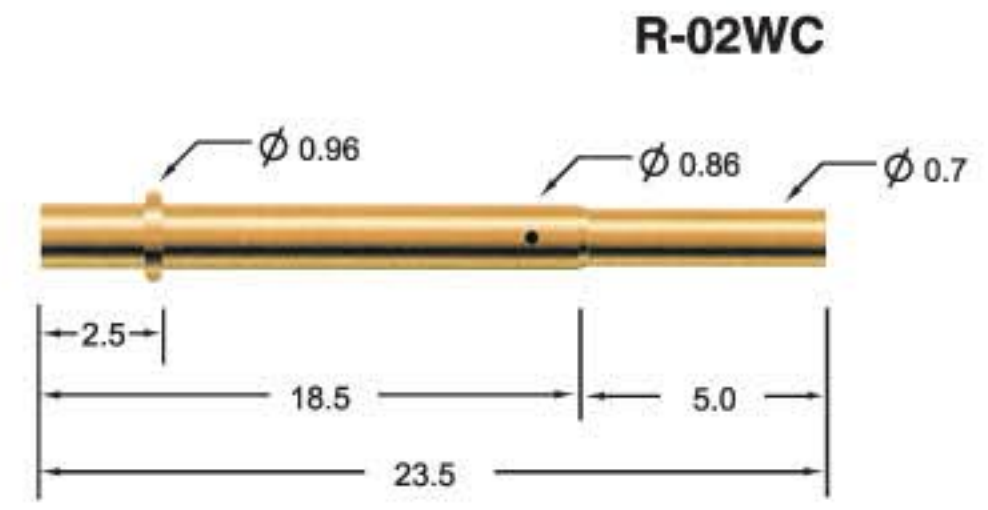
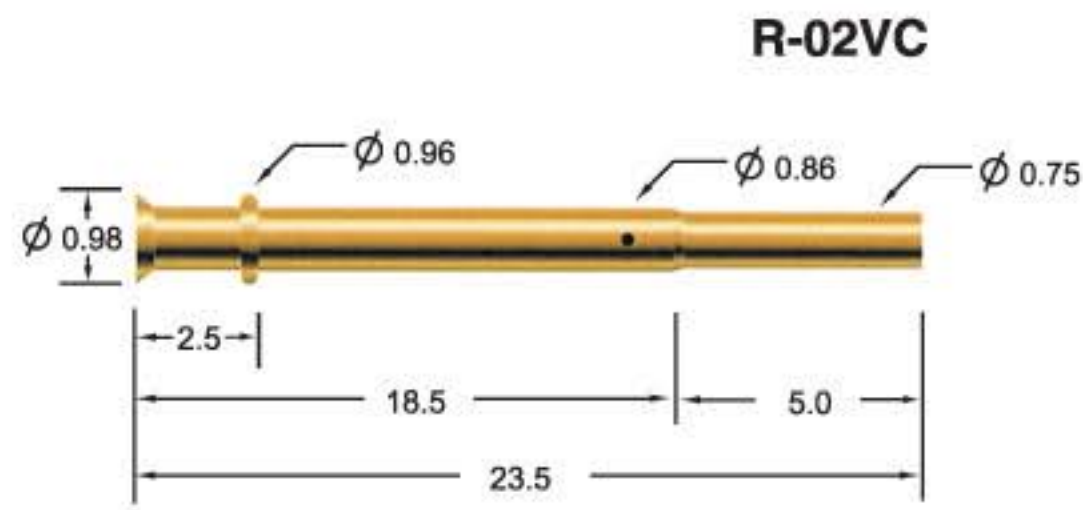


CPM-02

Unit:mm

SERIES PROBE & RECEPTACLE CPM-02



Probe specifications CPM-02

- Recommended min. center (最小間距) : 1.27 (.050")
- Mounting hole size (鑽孔尺寸) : 0.95 (.0374")
- Full travel (行程) : 4.2 (0.165")
- Materials and finishes (材料及塗飾) :
 Plunger : SK4,Rh plated
 Barrel : Phosphor bronze,Gold plated
 Spring : Stainless Steel
- Current rating (額定電流) : 3A
- Contact resistance (接觸電阻) : 30mΩ
- Spring force (全壓彈力) : 128g

Receptacle specifications

- Materials and finishes : Brass,Gold plated
- ★ 為訂製品代號